

AGE 3 (Height ~ 40" / 100cm)

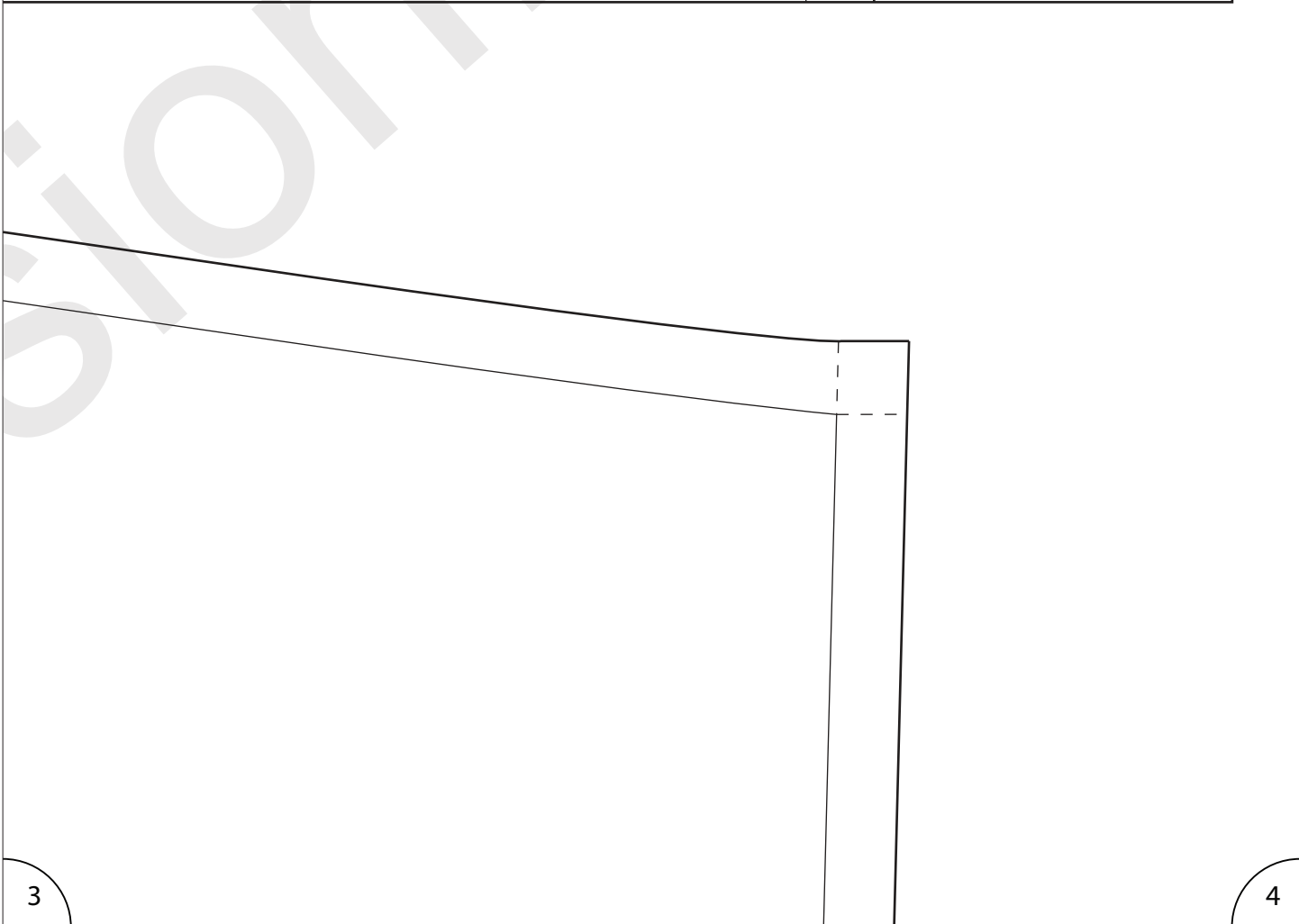
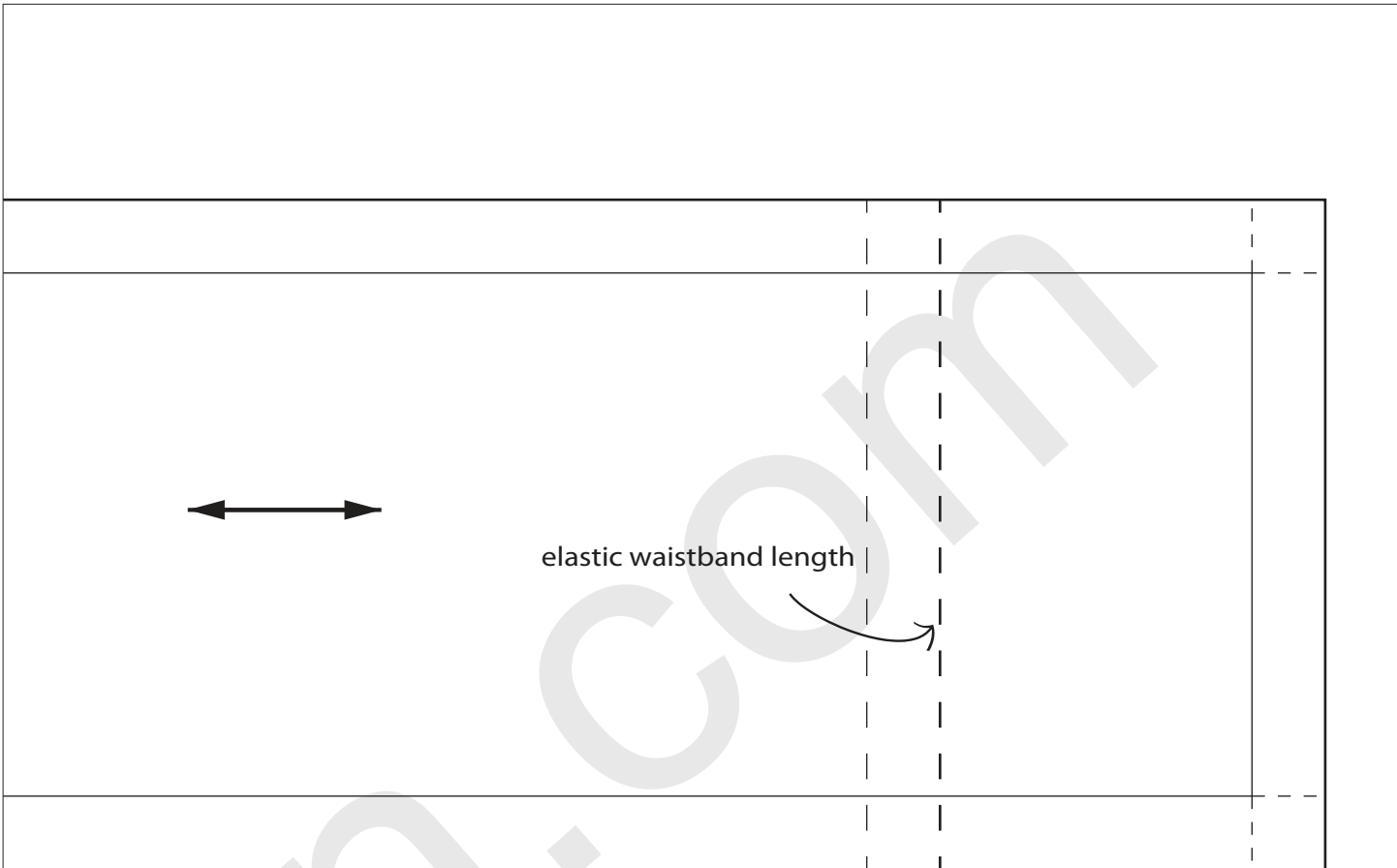
WAISTBAND
fold - 1

/ 100cm)

each

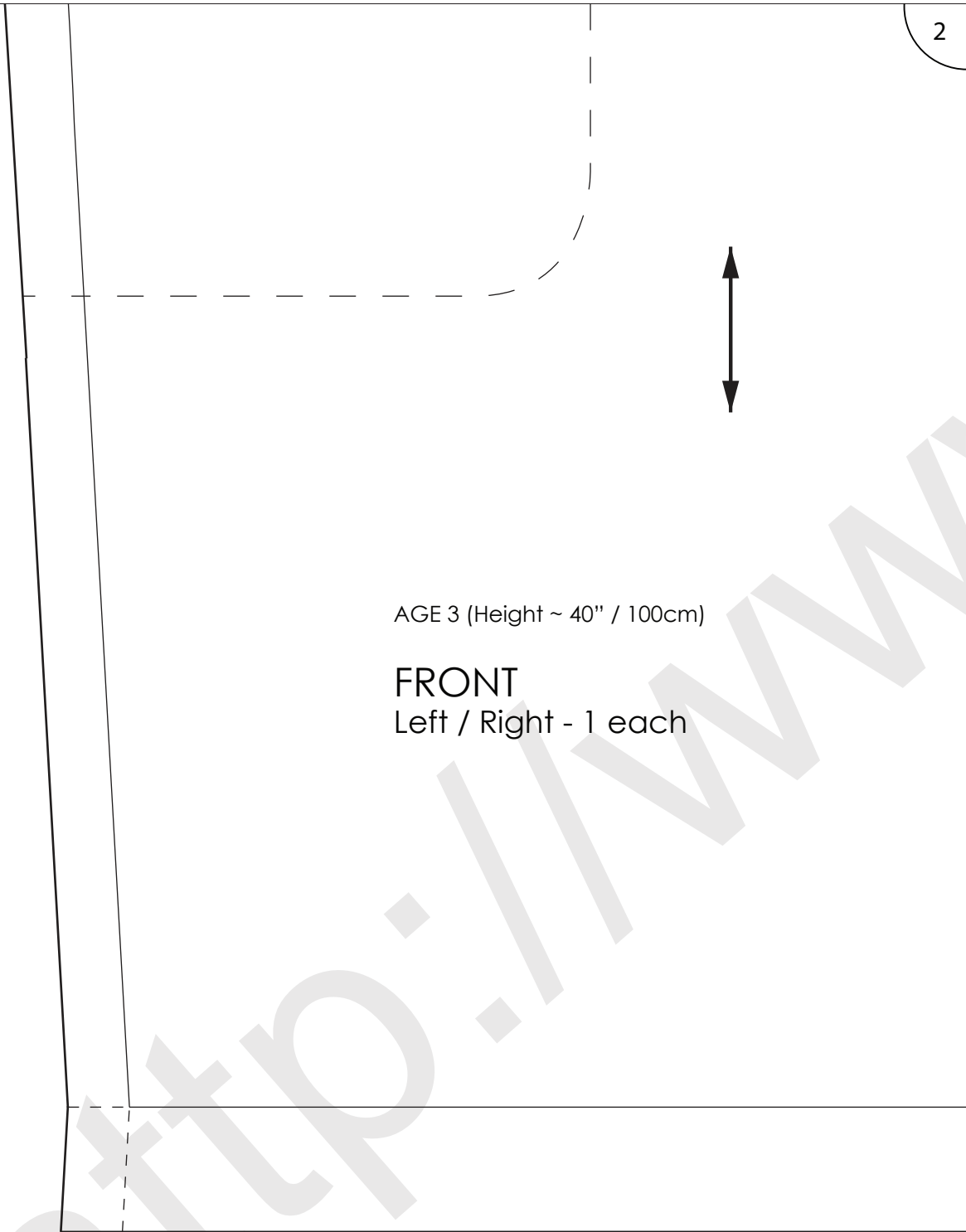
Toddler Shorts

For Age around 3 year-old
or
approx. 40" / 100cm Height



1

2



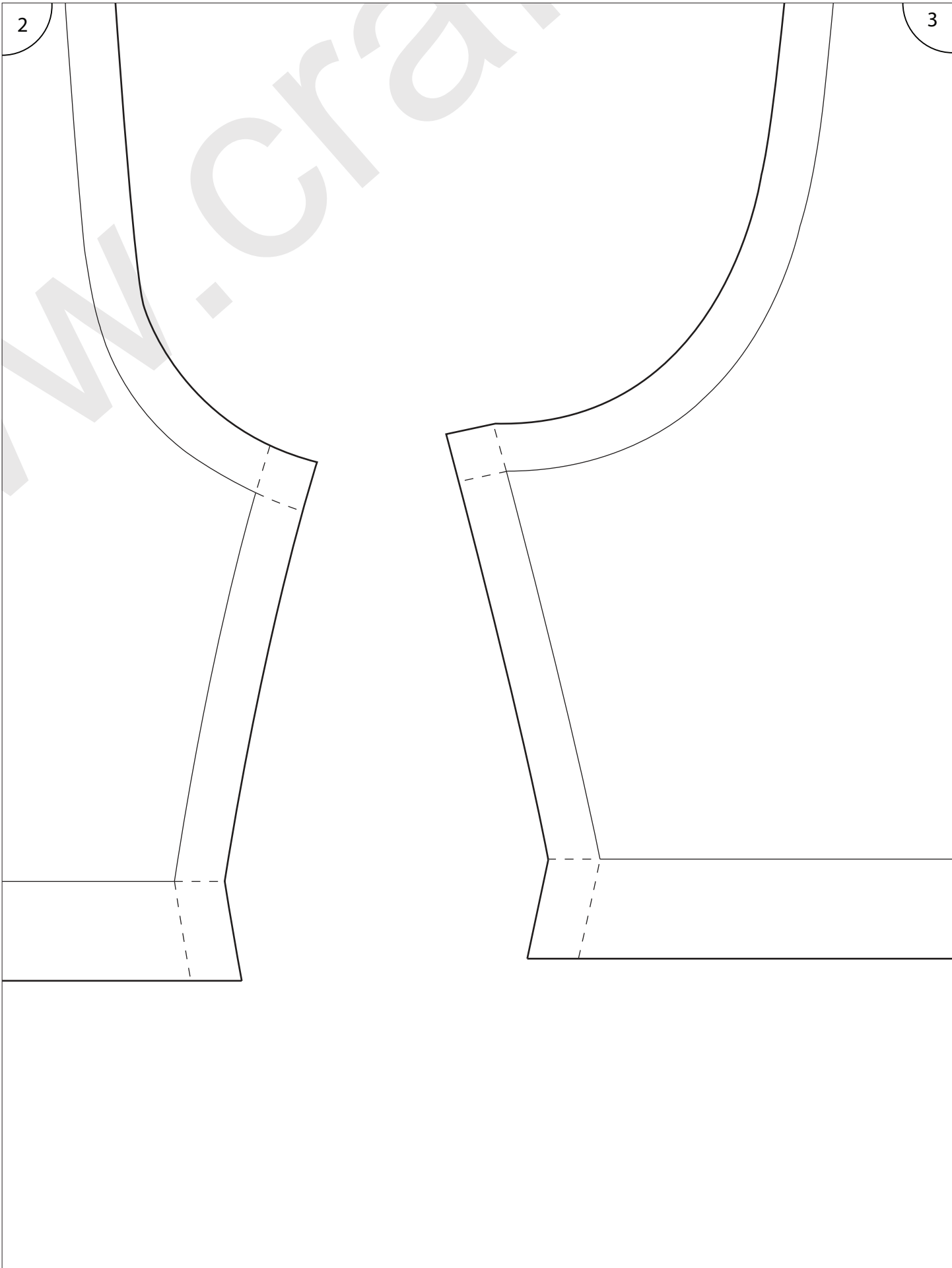
AGE 3 (Height ~ 40" / 100cm)

FRONT
Left / Right - 1 each

http://www.kitp...

2

3





AGE 3 (Height ~ 40" / 100cm)

BACK
Left / Right - 1 each

